

AIR SUPPORT FOR TITLE 24 AND MORE



INTRODUCING MERV 13 WHOLE HOME RETURN AIR GRILLE FILTERS

ZEPHYR VGF SERIES  3 inch Deep Pleated Filters that fit in 1 inch Return Air Filter Grilles offer longer life and higher efficiency.

3" Deep Pleated Design Provides the Following Benefits:

- Best in class solution for your filtration needs
- **Fits most 1" Return Air Grilles** without modification
- Low static pressure
- Lasts up to 6 months or longer
- Supports biannual preventive maintenance schedules
- High Efficiency Media available in **MERV 11** or **MERV 13**
- Foam gasket ensures complete seal with no air bypass
- Value priced vs other manufacturers

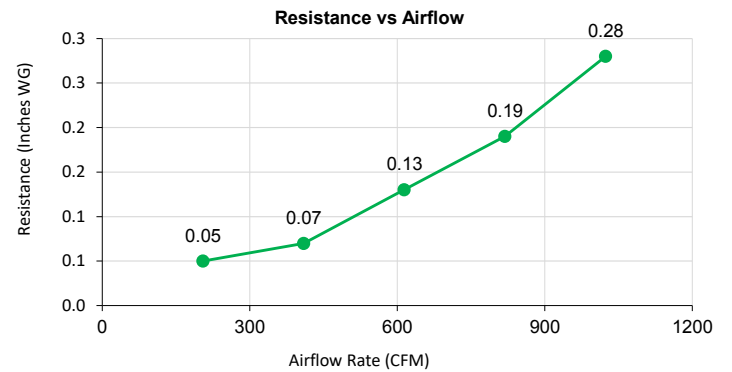
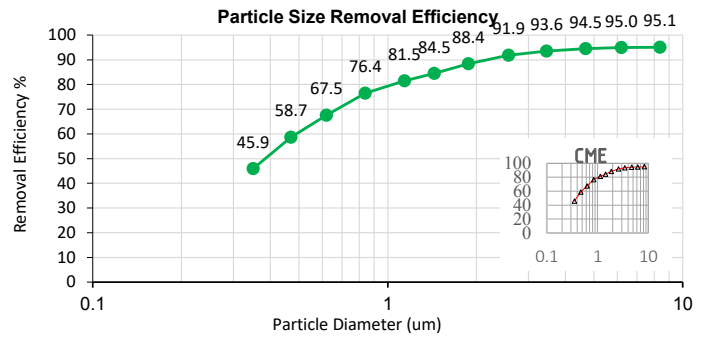
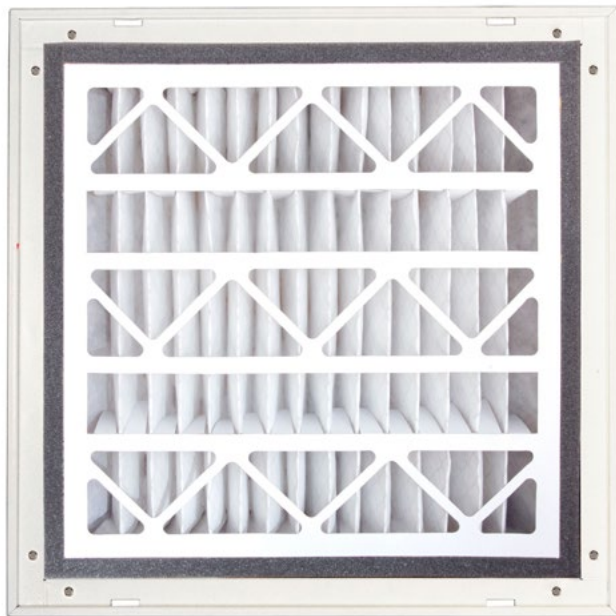
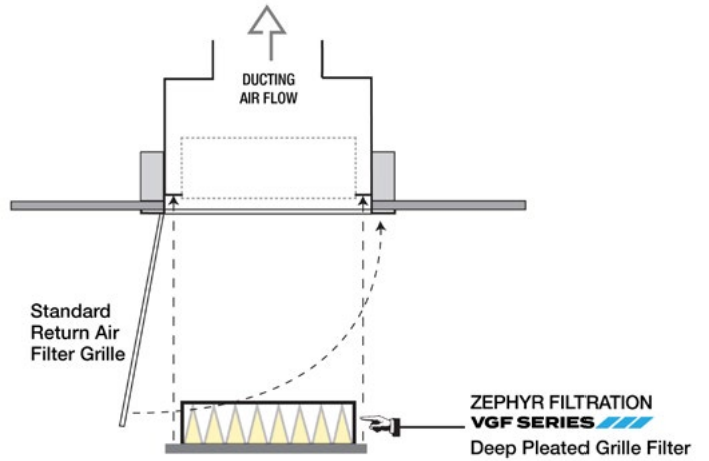
Air Support For Your Bottom Line.

zephyrfiltration.com

Distributed by



Fig. 1. Typical Ceiling Installation



SPECIFICATION DATA | MERV 13
Frame Design Positions Into Most Standard Grills

- Initial Resistance of .19 (w.c.) at 300 fpm air flow
- MERV 13 Efficiency
- Wire-backed synthetic media
- High wet strength beverage board frame
- Open cell foam gasketing with adhesive
- 10-12 Pleats per foot of filter face area

MERV 11 Specification Data is available upon request